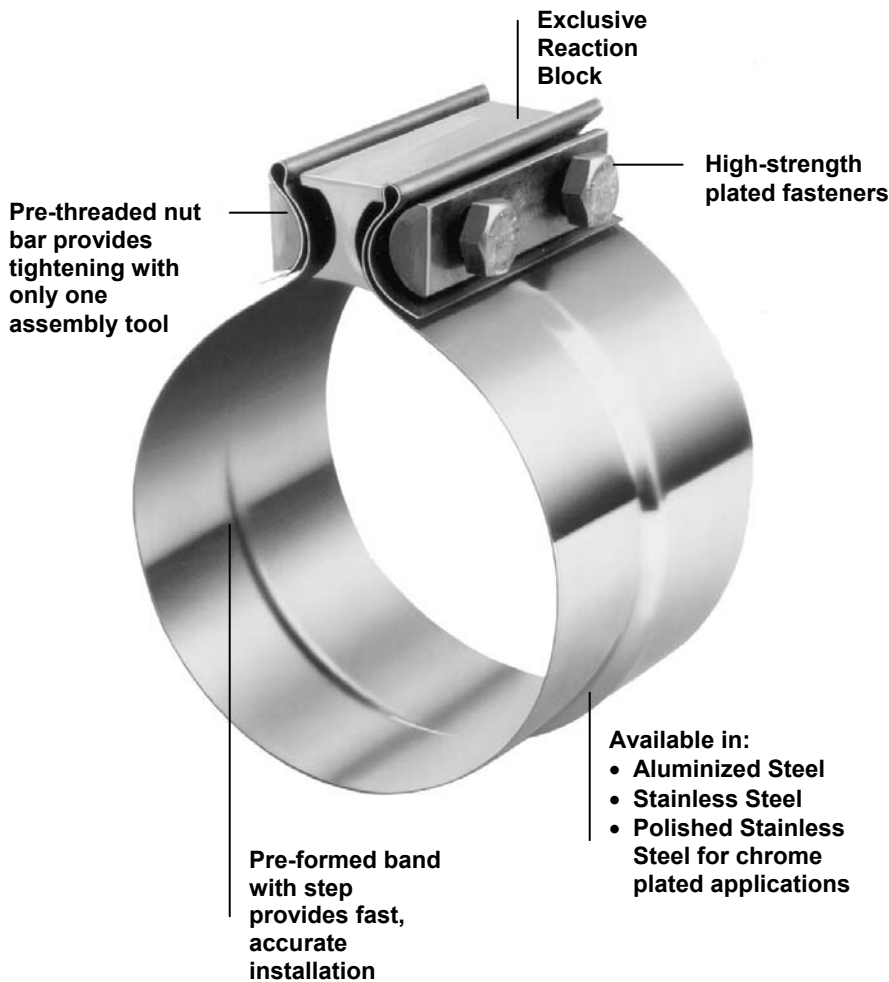




TorcTite Pre-Formed Lap Joint Exhaust Clamp

OEM Applications

The simple, effective way to connect exhaust system components. Replaces U-bolts and clamps.
Exclusive design makes for fast, easy and accurate installation.



Causes no damaging distortion to pipe or flex. Band is designed for maximum stretch providing tight take-up on pipe/pipe or pipe/flex applications.

- Available in standard industry sizes from 2" through 6" and metric equivalents.
- The exclusively developed fastening system, including a force bar, bolts, and the patented reaction block, creates the power to stretch the clamp band tightly around exhaust members.
- The reaction block provides a full 360° equal distribution of stretching forces, prohibiting pipe distortion while completing a seal around the joined exhaust components.

Unitized assembly. NO LOOSE hardware. Slides into place, installs easily and reliably.



The reaction block transfers bolt torque into clamp strength and an assured seal.



Torca Products, Inc.

Auburn Hills, MI 48326
 Phone: (248) 373-4300
 Fax: (248) 373-3068
www.torcausa.com